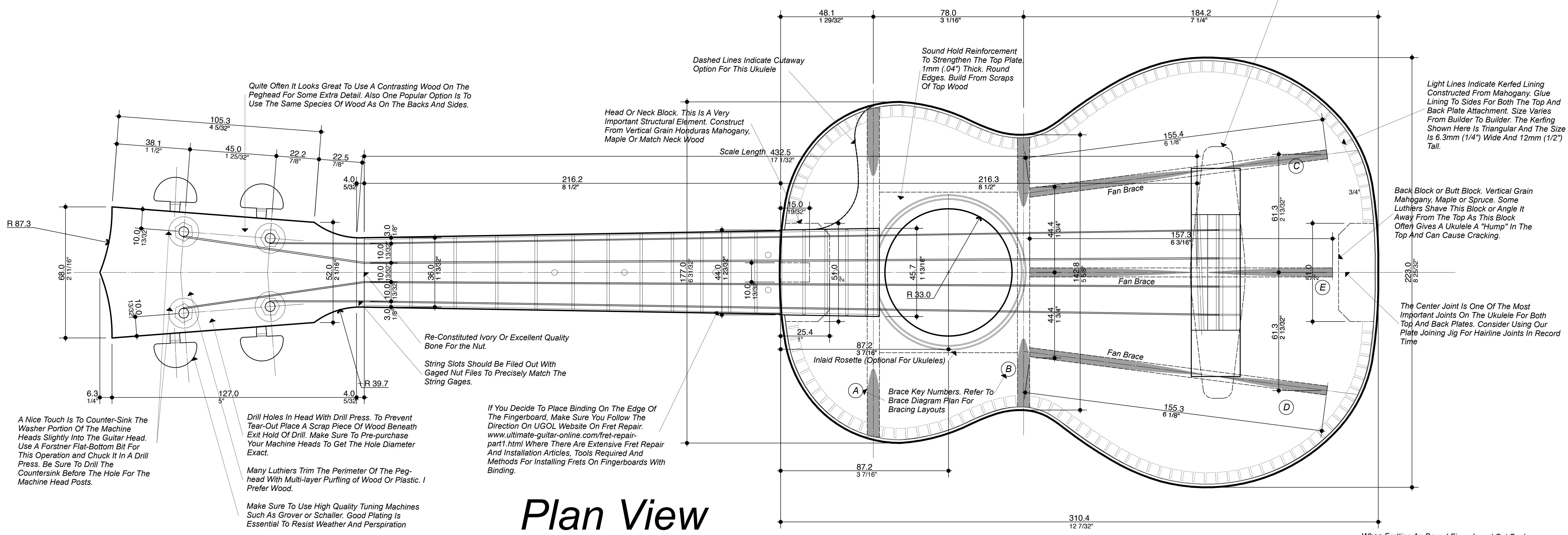


The Bridge Plate Is One Of The More Important Pieces Of The Ukulele Top Plate To Get Right. First Glue The Bridge Plate In Place, Cleanup The Glue, Then Cut And Sand The Braces. Then Fit The Fan Braces Very Carefully To The Bridge Plate. The Bridge Plate Can Be Either Spruce Or Top Wood. The Plate Is 1mm (.04") Thick And The Grain Shall Run 90 Degrees To The Top Plate Wood Grain.



# Plan View

## Inlay Position Dot Tutorial

Mother Of Pearl Position Dots Are A Matter Of Each Ukulele Players Taste And Varies From No Position Dots At All To Position Dots At The 3rd, 5th, 7th, 12th and 15th Frets To Very Elaborate Vines And Other Inlays.

To Install Round Position Dots, Mark The Center Of Each Dot With A Sharp-Pointed Scratch Awl.

Chuck-Up A Brad Point Drill Bit In Your Drill Press And Drill Holes For The Dots As Close To The Depth Of The Dot As Possible. Usually Try To Have The Dot Just A Bit Above The Fretboard Surface.

Mixup Some Ebony Sawdust With 2-part Epoxy Into A Toothpaste Consistency. Take A Bit On The Tip Of Your Finger And Work It Into Each Dot Hole. Now Take Each Position Dot And Work It Down Into Each Filled Hole. Wipe Away The Excess With Your Finger, But Make Sure You Don't Scoop It Out Of The Position Dot Cavity.

Let Dry Thoroughly And Sand Smooth With A Power Sander Or Sanding Sticks, Until The Dot And Fretboard Are Level.

Special Precaution: Do Not Inhale Any Of The MOP Dust. Wear A Good Dust Mask. The Dust In A Carcinogen And Is Very A Very Dangerous Health Risk.

## General Notes

Ukulele Top Plate. Usually Braced Dead Level (No Arch) Use #1 or AAA Top Materials If This Is A Higher Quality Ukulele - This Is The Single Most Important Piece Of Wood Used In A Ukulele. If this is a First Build Ukulele You Could Consider AA As Well. Sound Production Will Be Imperceptible And The Difference is Mainly Cosmetic

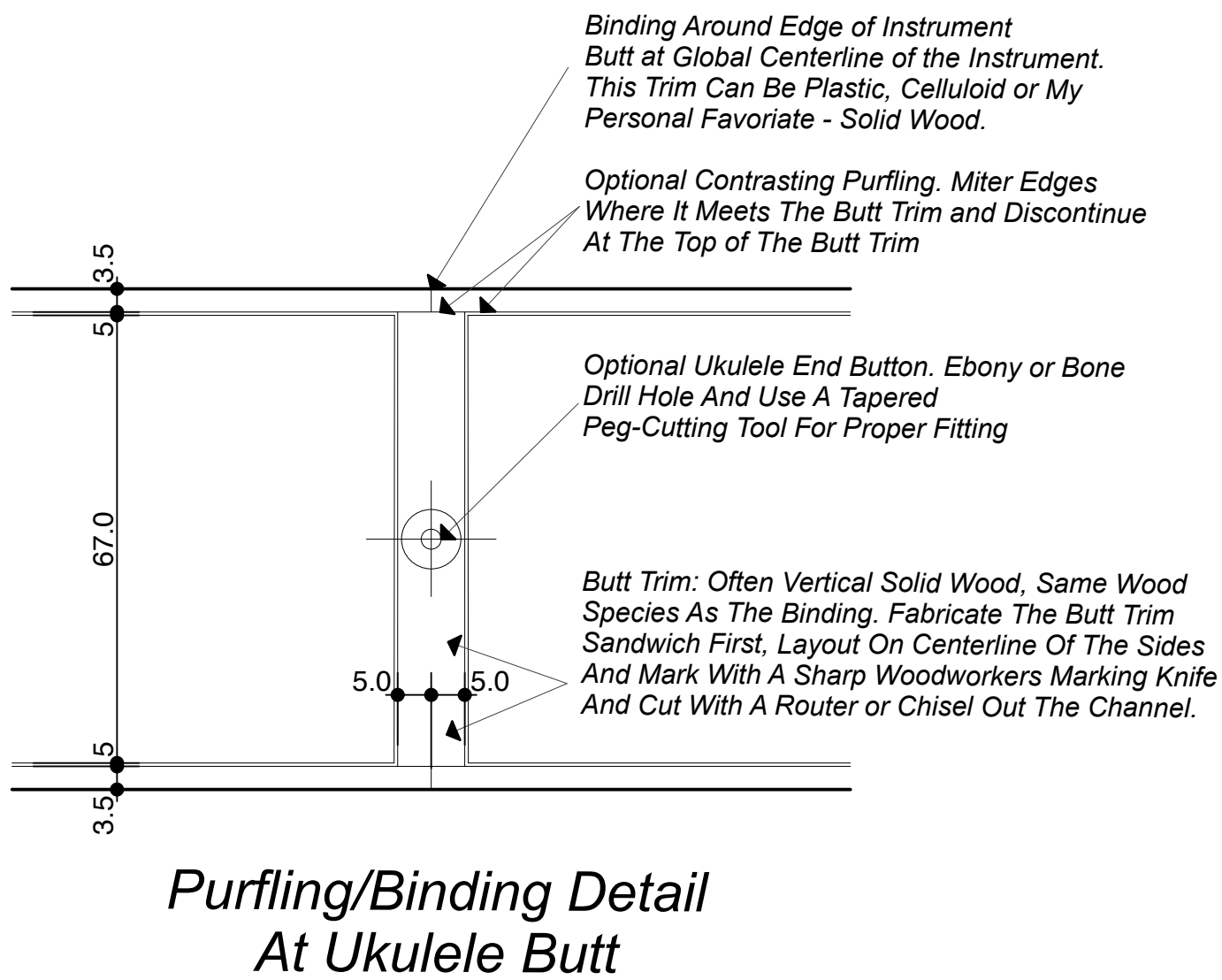
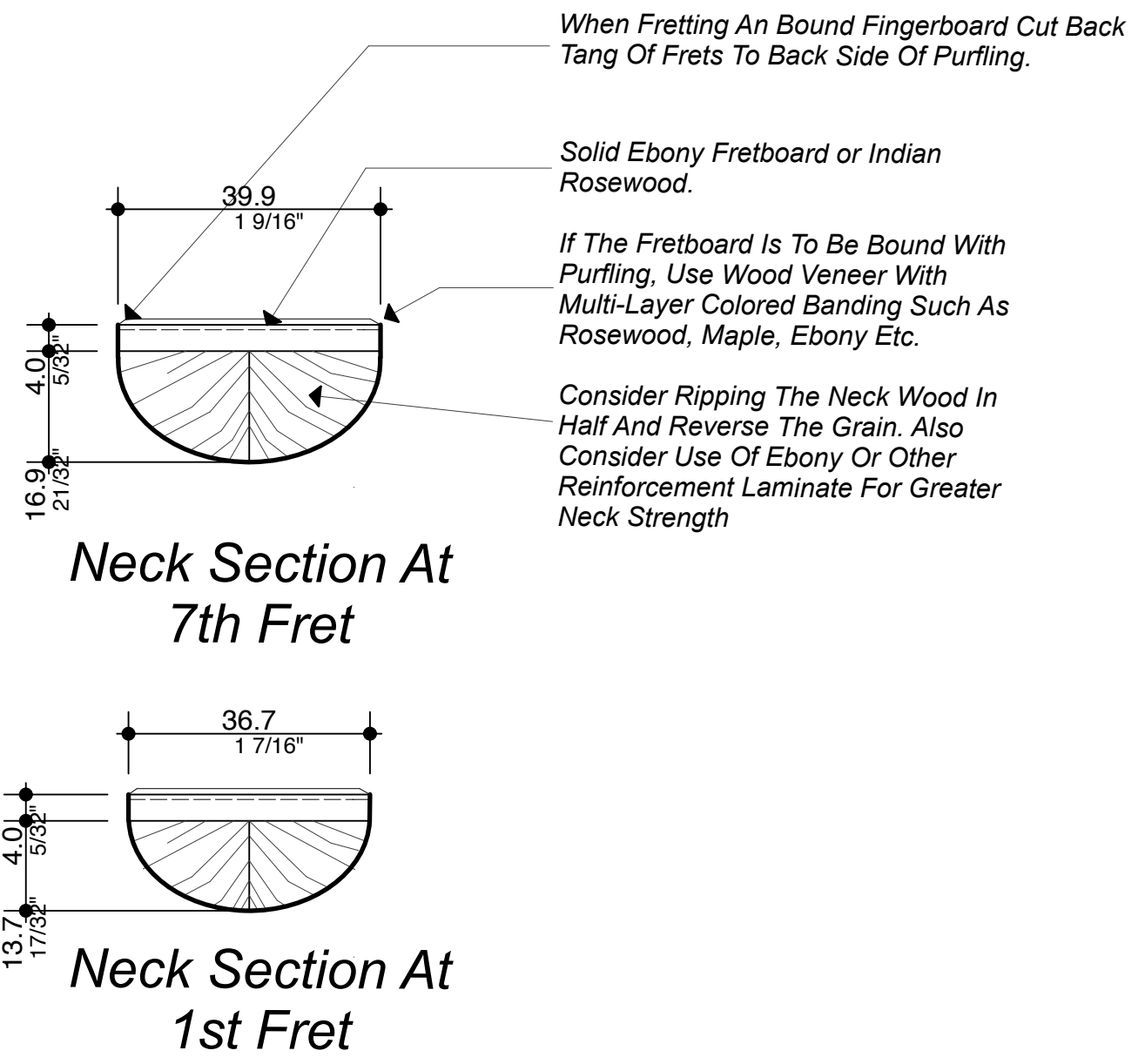
Materials Vary Quite A Bit. But Usually Consist Of Sitka Spruce Or Hawaiian Koa. Spruce Should Be Vertical Grain Wood With No Run-out, Even Grain Across The Top And 16 - 20 Grain/In Minimum.

Top Thickness Varies As Well And Is A Function Of Top Stiffness And Wood Density. For Instance Sitka Spruce Will Usually Need To Be Slightly Thicker Than Koa Because The Specific Density Of Spruce Is Less Than That Of Koa. A Good Starting Place If About 1.5 mm For Koa. With a Good Stiff Sitka Spruce You Can Go With About 2mm Of Thickness.

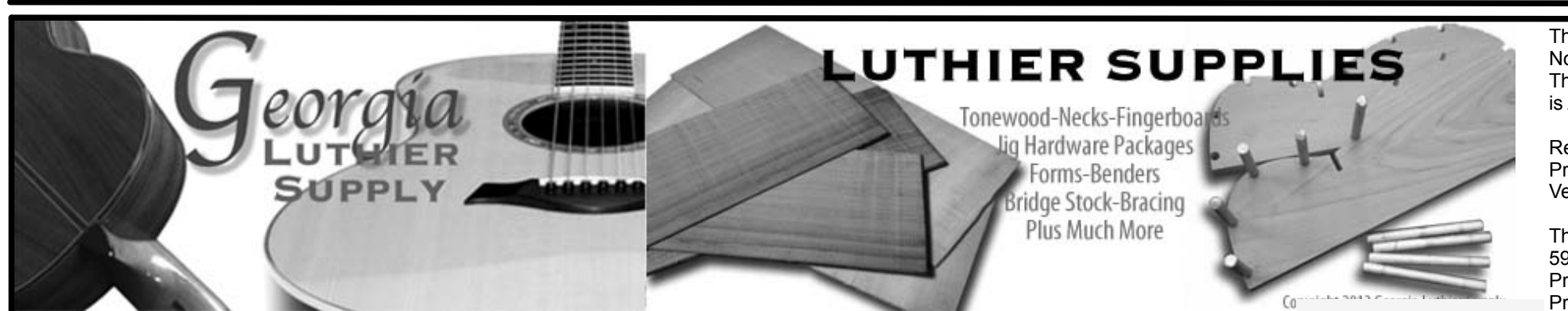
Note: Most Luthiers Make A Template From Either Wood Or Plastic With The Neck Profile, Heel Shape And Interior Neck Block And Foot Profile - All In One Template. Make Another Copy Of This Plan To Make Your Own. Just Use Spray Adhesive To Attach The Pattern And Cut It Out With Your Band Sand. Cut A Little Big (Away From The Line) And Finish Sand With A Spindle Sander Right Down To The Line

Back Braces - Vertical Grain Minimum 20 Grain/In. Cedar Or Spruce #1 Quality. Cope Out Ends Of Bracing.

Side And Back Material: Traditional Wood That Is Used For Ukulele Construction Is Hawaiian Koa. Often Koa Is Used For The Top Plate As Well. Thickness Of Koa For Sides Is Typically 1.5mm (.06") and Backs Are Typically 2.0mm (.08"). If A Koa Top Is Used, It Should Be Approximately 1.5mm (.06") Thick.



Note For Detailed Construction Instructions Refer To Our Book "Guitar & Ukulele Construction Handbook @ <http://shopgiss.com>



This Drawing or Drawings Are To Used For One Use Only And Not Reproduced For Any Other Purpose Than Construction Of This Particular Instrument, and a One Time Reproduction Only is Allowed

Reproduction, Distribution or Sales For Any Other Use Is Strictly Prohibited And Falls Under U.S. Copyright Laws For David VerBurg AIA ©2013

This Sheet Size Is Metric A1 Size Overall Size Is 841mm x 594mm With 15mm Borders On All Sides. For USA Customers Print On Architectural "D" (24" x 36") Without Resizing For 1:1 Printout.

# Georgia Luthier Supply

## 12-Fret Tenor Ukulele Plan

Date: March 27, 2013	Revisions: May 24, 2014	Sheet Number
		01
<small>Unless Noted Otherwise, These Plans Are Drawing Full Scale. They Are Labeled in mm and Fractional Inches</small>		