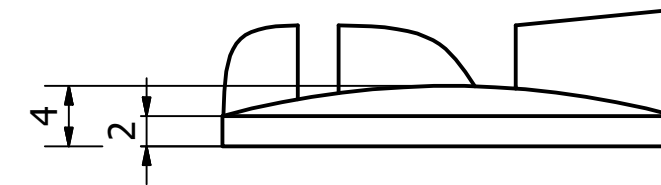
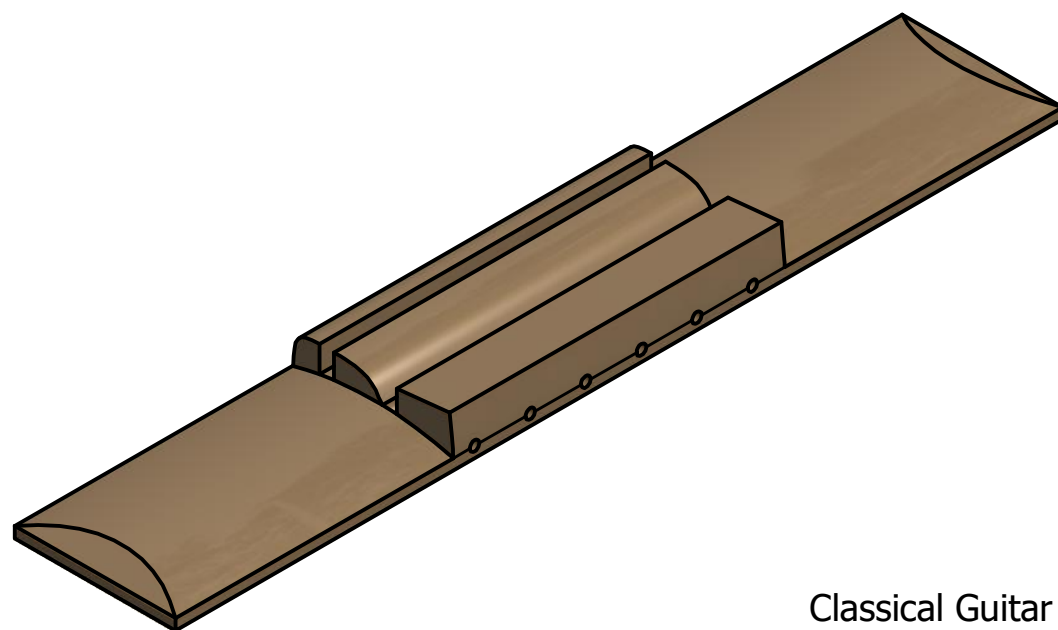
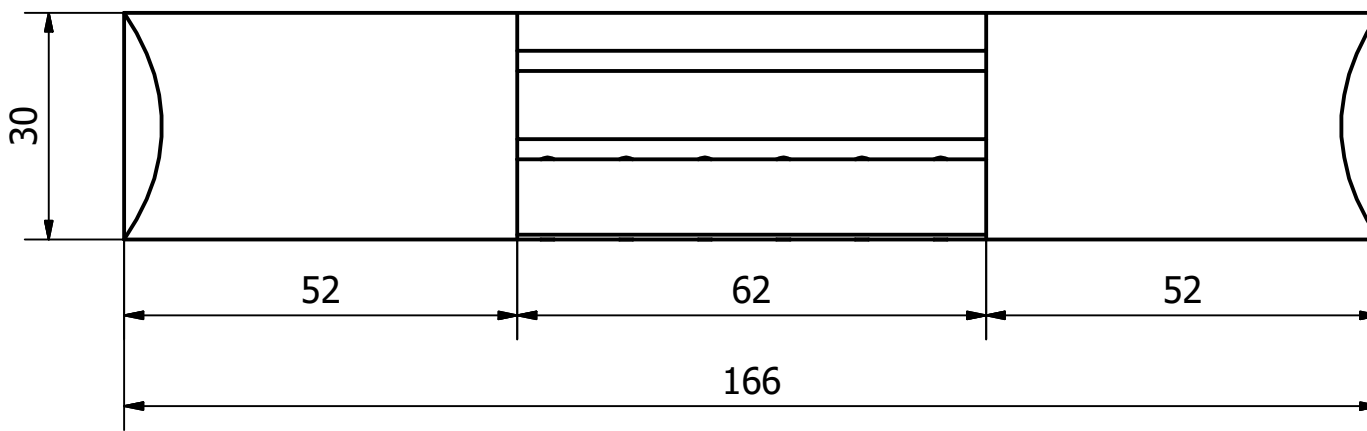
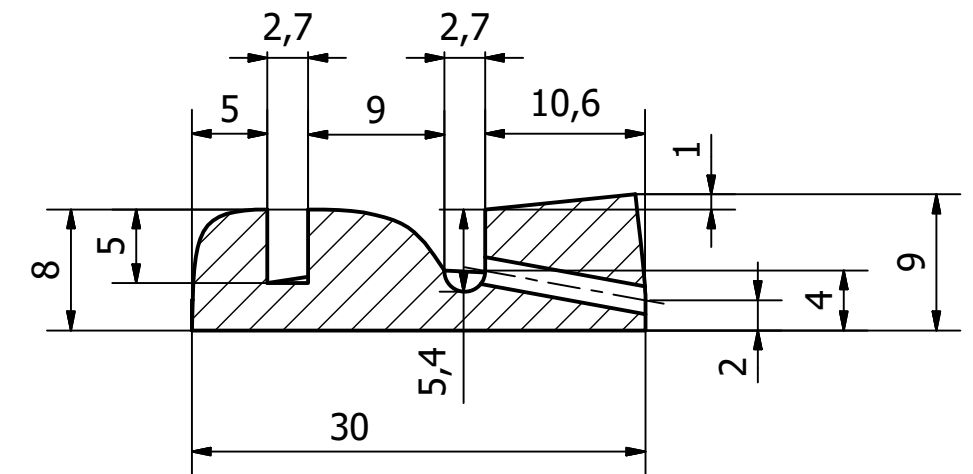


detail A (2 : 1)



section B-B (2:1)



Classical Guitar 1/2
scale length 532
outer string spacing saddle 52

Designed by Peter Mulkers	Checked by	Approved by	Date	Date 27/08/2016	
Mi Camino			BRIDGE		
Bridge			Edition	Sheet 1 / 1	